

Koala Series

Switchboard Instruments

*U*niversity
UNIVERSITY PATON INSTRUMENTS

Switchboard Meters

Koala



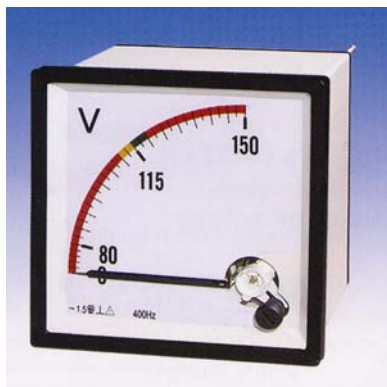
Moving Iron 90° AC Current

CT Operated 1 or 5A
Overscale x2,5,6
DIRECT 5,10,15,20,30,40A
SIZES 48,72,96,144mm
Code: EQK
Eg. EQK96 800/5AOSx2



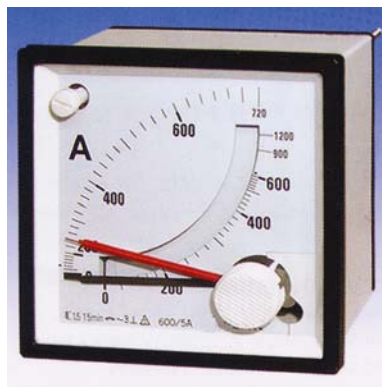
Maximum Demand (MDI) AC Current 90°.Optional contact output

CT Operated 1 or 5A, 15min
Overscale x 1.2 fixed
SIZES 72,96,144mm
Code: BLOK
Eg. BLOK96 100/5A



Moving Iron 90° AC Voltage

VT Operated 110V
DIRECT 150,300,500,600V
SIZES 48,72,96,144mm
Code: EQK
Eg. EQK96 150V



Combined Max. A Demand (MDI) and Instantaneous AC Current 90°

CT Operated 1 or 5A, 15min
Overscale x 1.2 MDI x 2 A
SIZES 72,96,144mm
Code: BOOK
Eg. BOOK96 600/5A



Moving Iron 90° AC Voltage or Current with Phase Selector Switch

DIRECT 150,300,500V,5A
SIZES 48,72,96,144mm
Code: TEQK
Eg. TEQK96 500V 6Pos



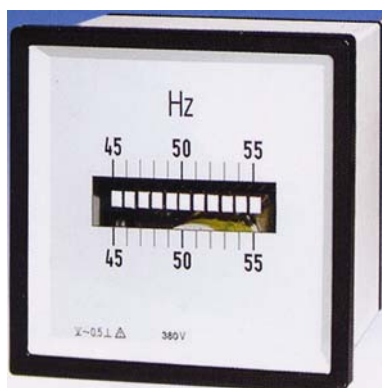
Frequency AC Pointer 90°

45-55, 45-65, 55-65Hz
110, 240, 415V
SIZES 48,72,96,144mm
Code: FAK
Eg. FAK96 45-55Hz110V



Moving Coil Rectified 240° AC Voltage or Current

CT Operated 1 or 5A
DIRECT 1mA-5A
SIZES 48,72,96,144mm
Code: PARK
Eg. PARK72 30/5A



Frequency AC Vibrating Reed 90°

45-55, 45-65, 55-65Hz
110, 240, 415V
SIZES 72,96,144mm
Code: FK
Eg. FK96 45-55Hz240V

Switchboard Meters

Koala



Watts Vars 90° or 240°. Electronic

CT Operated 1 or 5A
415V or 110V
SIZES 96mm
3Phase 3 or 4 Wire

Code: **WPQK, QPQK**
Eg. WPQK96-34



Moving Coil 90° or 240°

DC Current
50uA-30A Direct (above via shunt), 4-20mA
SIZES 48, 72,96,144mm

Code: **PQK, PAQK**
Eg. PQK96 4-20mA



Power Factor 90° or 240° Electronic

CT Operated 1 or 5A
415V or 110V
SIZES 96mm
3 Phase / 2

Single phase / 1
Code: **EPQK, EPAK**
Eg. EPQK96/2



Moving Coil 90° or 240°

DC Current
50mV to 1000V, 1-5V,
50,60,75mV for shunts
SIZES 48, 72,96,144mm

Code: **PQK, PAQK**
Eg. PAQK96 500V



Synchronisation 240° . Electronic

CT Operated 1 or 5A
415V or 110V
SIZES 96mm
3 Phase / 2

Single phase / 1
Code: **SQK**
Eg. SQK96/2



Phase Sequence

110, 240, 415V
SIZES 96mm

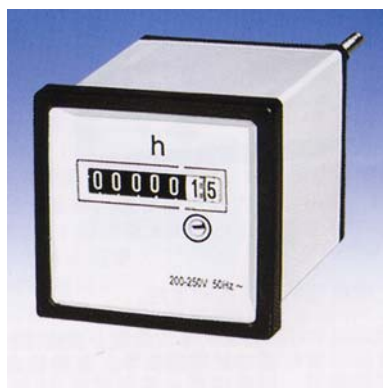
Code: **PSK**
Eg. PSK96 110V



kWh

CT Operated 1 or 5A
415V or 110V
SIZES 96mm
* DIGITAL MWH now Available

Code: **M600**
Eg. M600-WM9 800/5A



Elapsed Time (Hours Run)

110, 240, 415V
SIZES 48, 72,96mm

Code: **CHK**
Eg. CHK96 240V

1. Application

University Paton Instrument's Koala series meters are direct acting indicating analogue electrical measuring instruments. They are suitable to be used in distribution panels, control panels and other applications for measuring DC current, Voltage, AC current, Voltage, frequency, active and reactive power, power factor, synchroscope, phase indicator and other non-electric values.

2. Technical data and approvals

2.1 Standards: University Paton Instrument's Koala series meters comply with the standard GB7676-1998(idt IEC51-1997) and the standard IEC 1010-1(1990) Am2(1992),Am3(1995).All cases conform to the standard IEC-473. University Paton Instrument's products have both CE (KEMA) and C-Tick approval.

2.2 Cases: All cases at least dust and splash-proof. All cases are made of non-combustible plastic material according to UL94-VO.

2.3 Zero adjustment: All pointer type instruments have zero adjustments from the front.

2.4 Movement bearing: The movements of all indicating instruments are fitted with pivot bearings in order to make the instruments vibration proof up to max.2.5g and shock proof up 15g, The movements are fitted with resilient jewel bearings.

2.5 Working Temperature: All instruments operate trouble-free at temperatures ranging from -25°C to +40°C

2.6 Temperature range for storage -40°C up to +70°C.

2.7 Temperature influence: An ambient temperature of +23°C, is the reference temperature .The range of temperature influence is from 13-23°C to 23-33°C, Unless otherwise specified in the class. The range of influence may be varied.

2.8 University Paton Instrument's moving-coil products have core-magnet movements.

2.9 Mounting Angle: The instruments are calibrated for vertical mounting, unless other positions such as horizontal or inclined at any specified angle to the horizon can be provided upon request (in this case, specify angle of inclination, please) The accuracy class refers to the specified mounting angle only.

2.10 Insulation test: The insulation test is carried out at a voltage of 2000 Volts, 50HZ 1 min and applies for instruments with the full scale deflection up to 650V. Other standards comply with IEC1010-1.

2.11 The user shall be made aware that, if the meter is used in a manner not specified by the manufacturer, the protection provided by the meter may be impaired.

2.12 Accuracy class: AC, DC Voltmeters and Ammeters comply with the accuracy class 1.5. Watt an Var meters comply with accuracy class 1.5. Frequency meters comply with accuracy class 1.0. Maximum-demand meters with accuracy class 3.0. Power factor meters and synchroscope meter comply with accuracy class 2.5.

3. Construction

3.1 Koala EQK series are moving-iron. They are shockproof by means of resilient bearings 15 to 100HZ with oil damping. Ammeter with overload scales are available on request up to twice rated current. The overload range is substantially compressed. Ammeters with overload scale of five or six times rated current are available in CT operated meters.

3.2 Koala POK and PAOK series are moving coil, The scales are linear.

3.3 Koala PRK and PARK meters are moving coil rectified. The meters responding to approximate r.m.s values with a distortion factor of 15%. The scales are usually linear except for the beginning slightly compressed near zero,

3.4 Koala FAK and FAGK frequency meters are moving coil with built-in frequency converters. Voltage fluctuations of +-20% are permissible.

3.5 Koala FK meters are vibrating reed frequency meters. Voltage fluctuations permissible up to 20%.

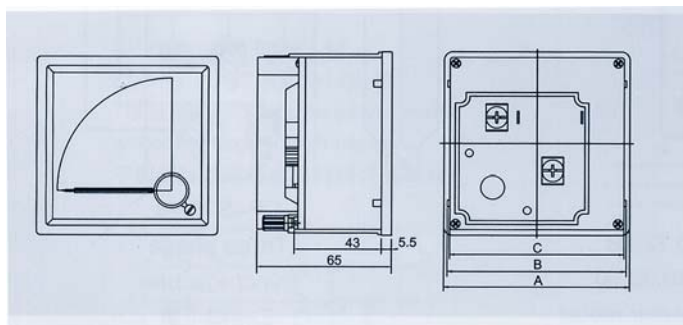
3.6 Koala WPQK and QPQKs power and reactive power meters are moving coil with built-in power converter meters to measure active or reactive power in AC single , three phase three wire and three phase four wire, 50 or 60HZ. Scale is linear.

3.7 Koala EPQK and EPAK power factor meters are moving coil with built -in converter meters for measuring power factor.

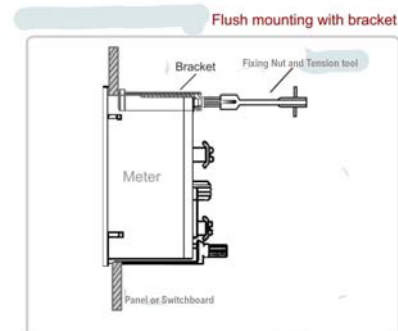
3.8 Koala BIQK maximum-demand meters are bimetal movement instruments for measuring maximum current values as maximum demand within a preset period of 15 minutes. BOQK metes are combined BIQK and EQK ammeters.

3.9 Koala SQK synchroscope meters are moving-iron instruments used for phase comparison for single phase and three phase AC circuits,50 or 60HZ.

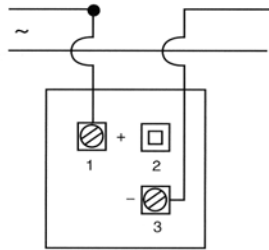
4. Dimensions



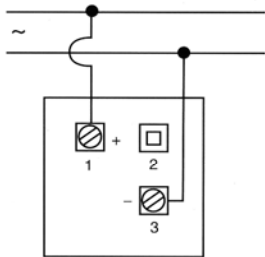
A= Bezel	48mm	72mm	96mm	144mm
B= Panel cut out	44mm	68mm	92mm	140mm
C= Case	42mm	66mm	90mm	138mm



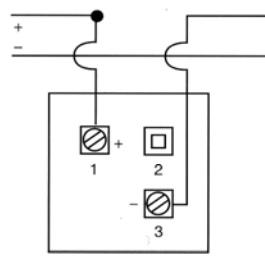
Connections



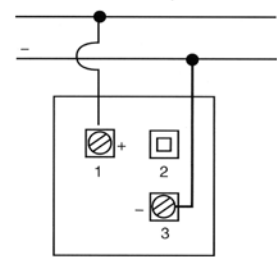
AC Ammeter
EQK



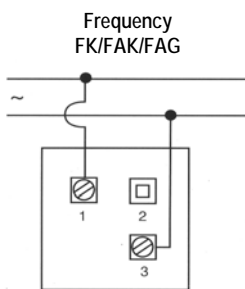
AC Voltmeter Hour Run
EQK/CHK



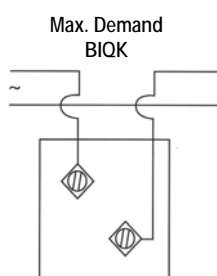
DC Ammeter
PQK/PAQK



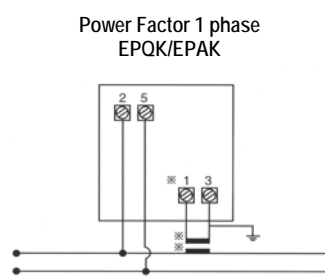
DC Voltmeter
PQK/PAQK



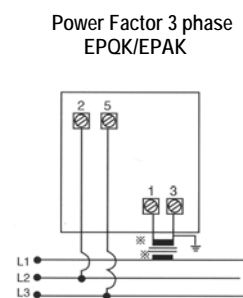
Frequency
FK/FAK/FAG



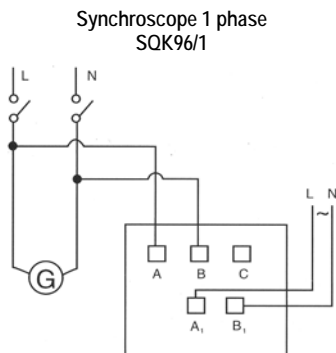
Max. Demand
BIQK



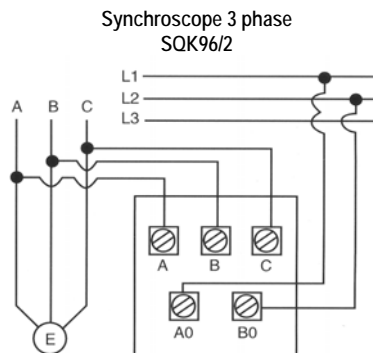
Power Factor 1 phase
EPQK/EPAK



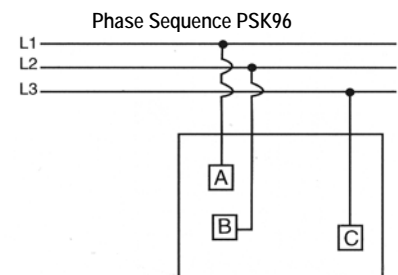
Power Factor 3 phase
EPQK/EPAK



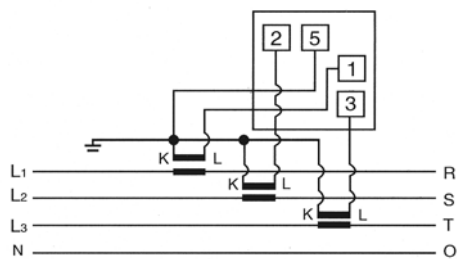
Synchroscope 1 phase
SQK96/1



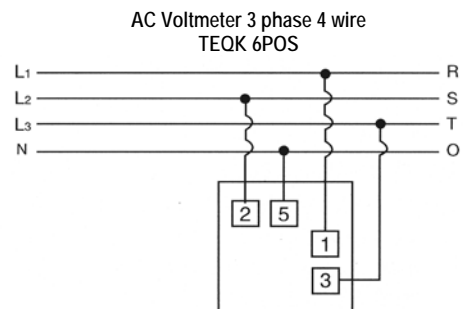
Synchroscope 3 phase
SQK96/2



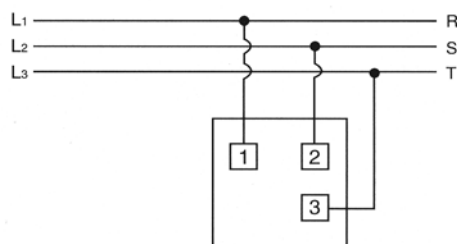
Phase Sequence PSK96



AC Ammeter 3 phase with switch
TEQKA



AC Voltmeter 3 phase 4 wire
TEQK 6POS



AC Voltmeter 3 phase 3 wire
TEQK 3POS