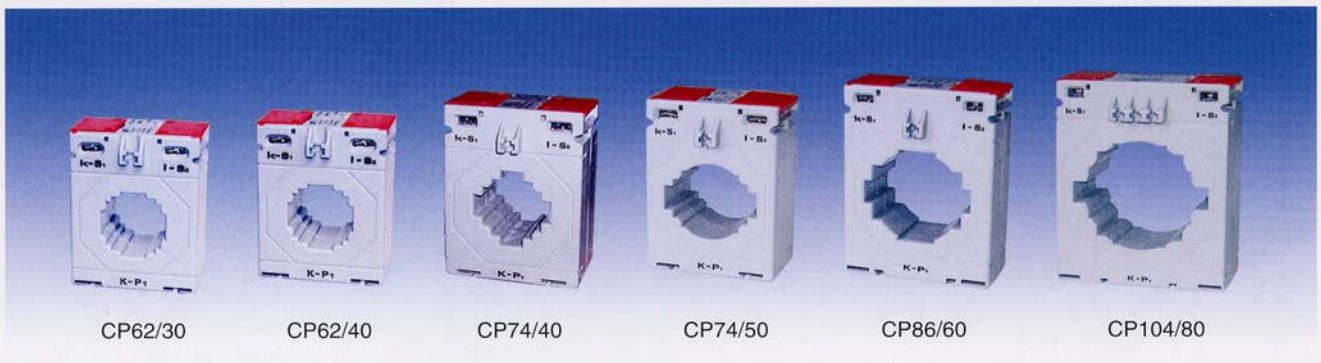


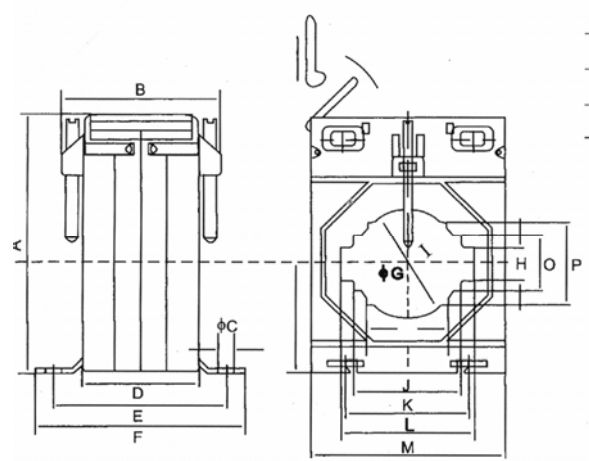
AC Current Transformers METERING CLASS

CP Series



Model	Pri/Sec	Busbar	W	High	VA	Class	V	Window
CP4514	30/5	n/a	n/a	44	65	1	3	720 15
	40/5	n/a	n/a	44	65	1	3	720 15
CP6230	50/5	30x10	25x20	62	78	1	1	720 30
	60/5	30x10	25x20	62	78	1.5	1	720 30
	75/5	30x10	25x20	62	78	1.5	1	720 30
	80/5	30x10	25x20	62	78	1.5	1	720 30
	100/5	30x10	25x20	62	78	2.5	1	720 30
	150/5	30x10	25x20	62	78	5	1	720 30
CP6240	200/5	40x10	30x20	62	78	5	1	720 40
	250/5	40x10	30x20	62	78	5	1	720 40
	300/5	40x10	30x20	62	78	5	1	720 40
	400/5	40x10	30x20	62	78	5	1	720 40
	500/5	40x10	30x20	62	78	5	1	720 40
	600/5	40x10	30x20	62	78	7.5	1	720 40
CP7450	200/5	50x10	40x20	74	98	12.5	1	720 40
	250/5	50x10	40x20	74	98	12.5	1	720 40
	300/5	50x10	40x20	74	98	12.5	1	720 40
	400/5	50x10	40x20	74	98	12.5	1	720 40
	500/5	50x10	40x20	74	98	12.5	1	720 40
	600/5	50x10	40x20	74	98	12.5	1	720 40
CP8660	1000/5	50x10	40x20	74	98	15	1	720 40
	500/5	60x10	50x30	86	110	20	1	720 50
	600/5	60x10	50x30	86	110	20	1	720 50
	800/5	60x10	50x30	86	110	20	1	720 50
	1000/5	60x10	50x30	86	110	15	1	720 50
	1200/5	60x10	50x30	86	110	15	1	720 50
CP10480	800/5	80x10	60x30	104	126	30	1	720 60
	1000/5	80x10	60x30	104	126	30	1	720 60
	1200/5	80x10	60x30	104	126	30	1	720 60
	1500/5	80x10	60x30	104	126	30	1	720 60
CP140100	1600/5	80x10	60x30	104	126	30	1	720 60
	2000/5	80x10	60x30	104	126	30	1	720 60
	1000/5	100x30	60x30	140	153	30	1	720 80
	1500/5	100x30	60x30	140	153	30	1	720 80
	1600/5	100x30	60x30	140	153	30	1	720 80
	2000/5	100x30	80x50	140	153	30	1	720 80
	2500/5	100x30	80x50	140	153	30	1	720 80
	3000/5	100x30	80x50	140	153	30	1	720 80
3200/5	100x30	80x50	140	153	30	1	720 80	

Dimensions



Model	A	B	C	D	E	F	G	H	I	J	K	L	M	O	P
CP62/20	78	36	6.6	36	55	71		11	11	26	44	21			
CP62/30	78	47	6.6	35	55	71	30.5	11	11	26	44	31	62	21	26
CP62/40	78	47	6.6	35	55	71	31	11	16	31	44	41	62	21	26
CP74/40	98	61	6.6	45	67	81	33	11	11	31	47	41	74	21	31
CP74/50	98	61	6.6	45	67	81	41	12	31	41	47	51	74	21	31
CP86/60	110	56	6.6	40	62	76	51	12	21	51	68	61	86	31	44
CP104/80	126	56	6.6	40	62	76	65	12	31	61	86	81	104	31	56

LOW VOLTAGE CURRENT TRANSFORMERS

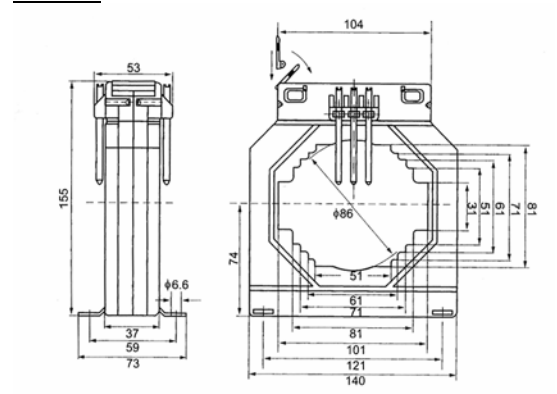
Measuring current transformers: Current transformers convert high AC currents to small easily manageable values. Current transformers consist of primary winding, secondary winding, magnetic core and insulated body. If current transformers have no internal primary Measurement is made by passing a conductor or busbar inside the toroidal core of transformer.

UPI current transformers are produced according to IEC IEC44-1. The secondary terminals are under flip type sealable covers. There are two types of Low voltage current transformers, measuring and protection. Measuring current transformers are constructed to supply other low voltage apparatus such as measuring instruments, relays, watt-hour meters (kW meter) and power transducers, these type of current transformers are mainly class 0.5 and 1. Protection current transformers are constructed to supply protection relays. These types of current transformers are mainly class 3.

The CP and UPCT Series measuring current transformers are high quality designs with apertures conforming to common switchboard requirements. Secondary terminals have flip covers and fixing is via busbar clamp or mounting feet. Smaller models have Din rail fixing adaptors.

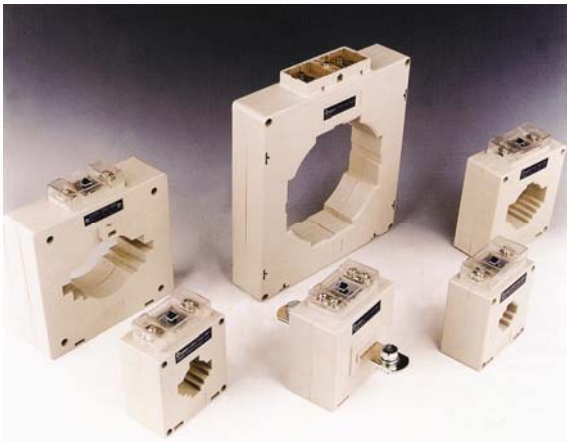
Wound primary CT's for low currents are available but not shown (contact local support)
 Max Voltage: 720V Frequency: 50/60Hz nominal Secondary: 5A (1A option)
 Test Voltage: 4kV / 1min Temperature: -20~+65C Insulation: Class E
 Enclosure: IP40 Compliance: IEC185, 44-1, BS762 Rated Security
 Coefficient: FS<5
 Short-time thermal current: I_{th}=60×I_n

CP140/100

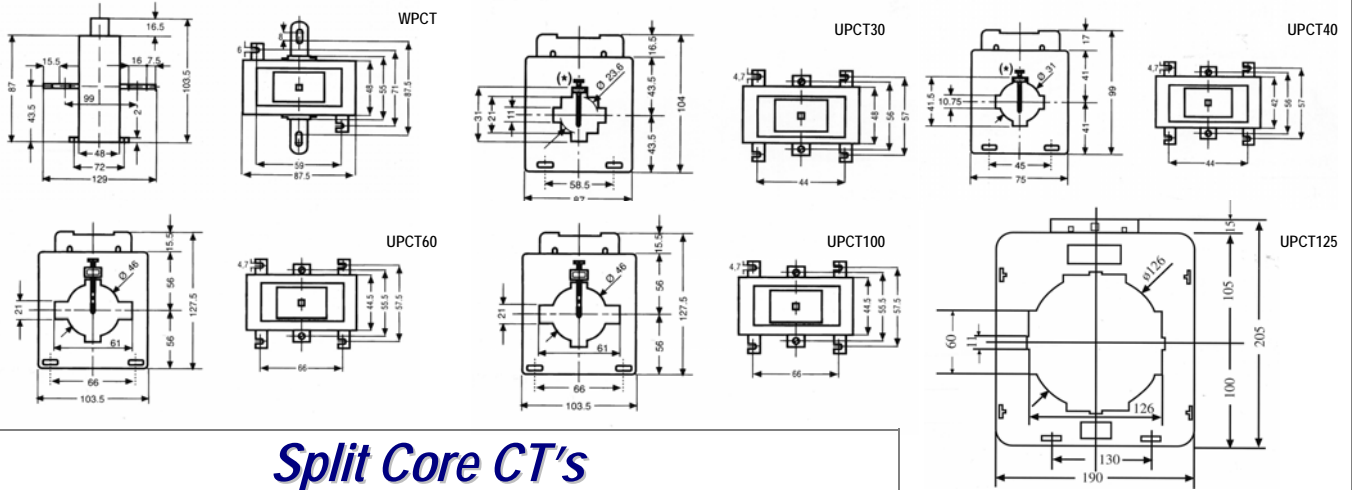


AC Current Transformers METERING CLASS

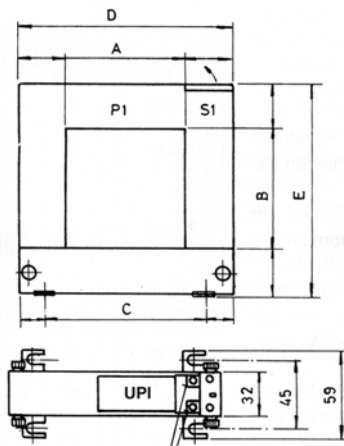
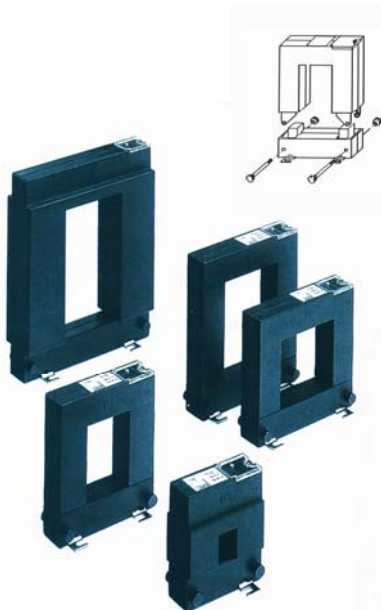
UPCT



Model	Pri/Sec	Cross Sectn	Wide	High	VA	Class	V	Diam	
UPCT30	30/5	30 x 10	75	99	2.5	1	720	23	
	40/5	30 x 10	75	99	2.5	1	720	23	
	50/5	30 x 10	75	99	2.5	1	720	23	
	60/5	30 x 10	75	99	2.5	1	720	23	
	75 or 80/5	30 x 10	75	99	2.5	1	720	23	
	100 or 120/5	30 x 10	75	99	2.5	1	720	23	
	125 or 150/5	30 x 10	75	99	2.5	1	720	23	
	200/5	30 x 10	75	99	5	1	720	23	
	250/5	30 x 10	75	99	5	1	720	23	
	300-500/5	30 x 10	75	99	5	1	720	23	
UPCT40	200/5	40 x 10	75	99	5	1	720	31	
	250/5	40 x 10	75	99	5	1	720	31	
	300/5	40 x 10	75	99	5	1	720	31	
	400/5	40 x 10	75	99	5	1	720	31	
	500 and 600/5	40 x 10	75	99	10	1	720	31	
	800 and 1000/5	40 x 10	75	99	10	1	720	31	
UPCT60	400/5	60x10	60x6	103	128	5	1	720	45
	500/5	60x10	60x6	103	128	10	1	720	45
	600/5	60x10	60x6	103	128	5	1	720	45
	750/5	60x10	60x6	103	128	10	1	720	45
	800/5	60x10	60x6	103	128	10	1	720	45
UPCT100	1000/5	60x10	60x6	103	128	15	1	720	45
	1200/5	60x10	60x6	103	128	15	1	720	45
	1000/5	100x10	80x30	147	155	15	1	720	60
	1200/5	100x10	80x30	147	155	20	1	720	60
	1500/5	100x10	80x30	147	155	20	1	720	60
	1600/5	100x10	80x30	147	155	20	1	720	60
	2000/5	100x10	80x30	147	155	40	1	720	60
UPCT125	2500/5	100x10	80x30	147	155	40	1	720	60
	3000/5	100x10	80x30	147	155	40	1	720	60
	1500/5	125x60	190	205	30	1	720	125	
	2000/5	125x60	190	205	30	1	720	125	
	2500/5	125x60	190	205	30	1	720	125	
	300/5	125x60	190	205	30	1	720	125	
4000/5	125x60	190	205	30	1	720	125		
5000/5	125x60	190	205	60	1	720	125		



Split Core CT's



Model	Primary(A)	VA(CL1)	CL3	
SC23	100		1.5	
	150		2	
	200	1.5	2.5	
	300	4	6	
	400	6	10	
SC58	250	2	4	
	300	3	6	
	400	3	10	
	500	5	15	
	600	5	15	
	750	6	18	
	800	7	18	
	1000	10	20	
	SC88	250	2	4
		300	3	6
400		3	10	
500		5	15	
600		5	15	
SC812	750	6	18	
	800	7	18	
	1000	10	20	
	500	4	12	
	600	5	14	
SC816	750	6	17	
	800	7	18	
	1000	9	20	
	1200	11	24	
	1500	17	30	
	1000	15	20	
	1500	20	25	
	2000	20	25	
	2500	20	25	
	3000	25	30	
4000	25	30		
5000	25	30		

Type	A	B	C	D	E
SC23	20	30	51	89	111
SC58	50	80	78	114	145
SC88	80	80	108	144	145
SC812	80	120	108	144	185
SC816	80	160	120	184	245