

Application

UPI Panel meters are used in a wide range of applications and are particularly suitable for manufacturers of equipment where a reading of within 2.5% accuracy is acceptable. Applications include battery chargers, welders, chlorinators and UPS's. UPI use level 1 movements for standard meters and level 3 movements for OEM bulk applications where cost is critical. Movements range from level 1 to level 5 which is commonly used in hobby electronics. Meters are ranged and scaled to order. Shunts for DC current may be internal, rear mounted or external (see shunt section for selection). UPI utilises a smart tooling system which facilitates for custom meter design and production.

Specifications

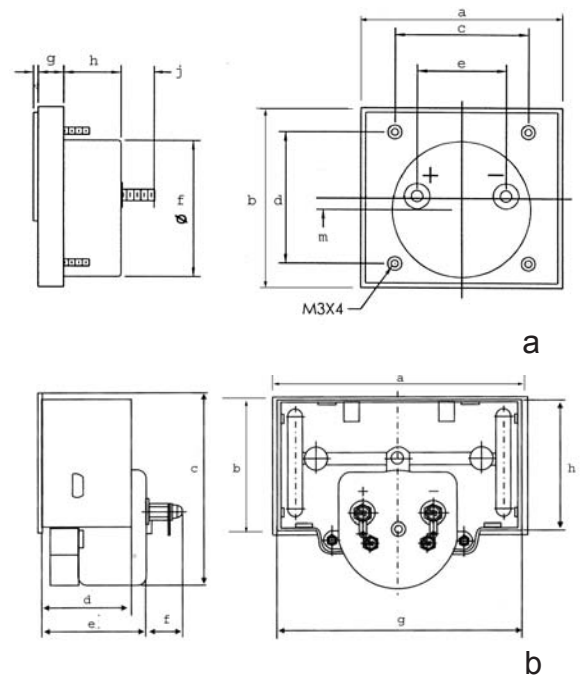
DC Current 50uA~30A
 DC Voltage 50mV~1000V
 AC Current 1 or 5A (Use CT)
 AC Voltage 0~150, 300 or 500V
 Frequency 45~55Hz, 110,240,415V
 Power Factor 0.5 ~ 1 ~ 0.5 80~415V
 (small barrels not suitable for Freq. and PF)
 Accuracy Class 2.0 /2.5

Types:

AC Moving Iron and Moving Coil Rectified
 DC Moving Coil
 VU/db Moving Coil
 Edgewise Moving Coil

Dimensions

Model	a	b	c	d	f	g	h	j	m	drg
DE430	44	44	32	32	37	10	22	10	0	a2
DE50	51	51	37	37	44	11	23	11	0	a2
MU45	59	52	38	37	44	12	23	10	0	a1
DE660	64	59	48	48	51	12	23	11	0	a1
DE670	70	60	48	48	51	12	23	11	0	a1
DE680	80	60	48	47	51	12	25	11	0	a2
DE786	86	78	57	57	59	12	25	11	5	a2
DE80	81	81	65	65	64	13	22	19	0	a1
DE100	100	83	58	58	58	13	23	10	0	a1
DE106	106	82	88	65	61	12	24	10	0	a2
DE120	120	100	89	69	77	12	36	12	8	a1
TD118	118	106	101	91	69	12	24	13	9	a2
TD152	152	110	133	96	69	13	24	10	17	a2
DL2	60	46	31	32	38	10	23	7	1.2	a1
DL3	89	65	44	24	45	10	22	7	6	a1
DL100T	101	101	80	80	86	15	22	18	0	a1
DL60	60	60	48	48	52	11	24	10	0	a2
DL65	67	67	51	51	53	13	24	10	0	a2
DL80	81	81	65	65	64	14	22	19	0	a2
DX126	126	64	108	40	x	115	64	x	x	b3
DX13	72	39	57	25	11	68	35	x	x	b3
DX20	88	48	67	33	11	84	44	x	x	b3
DX27	109	60	83	38	113	100	55	x	x	b3
DX31	129	70	102	38	15	124	65	x	x	b3



column **drg** shows the drawing number above (a or b) followed by the style as shown at page top left to right. eg **a2** is the top drawing with a clear facia meter.