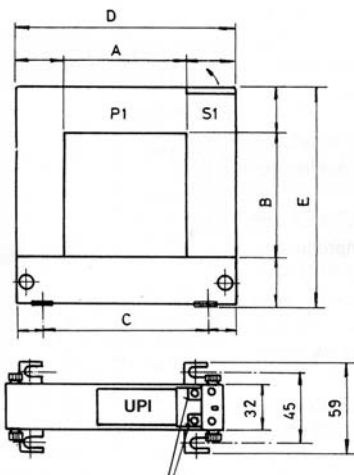
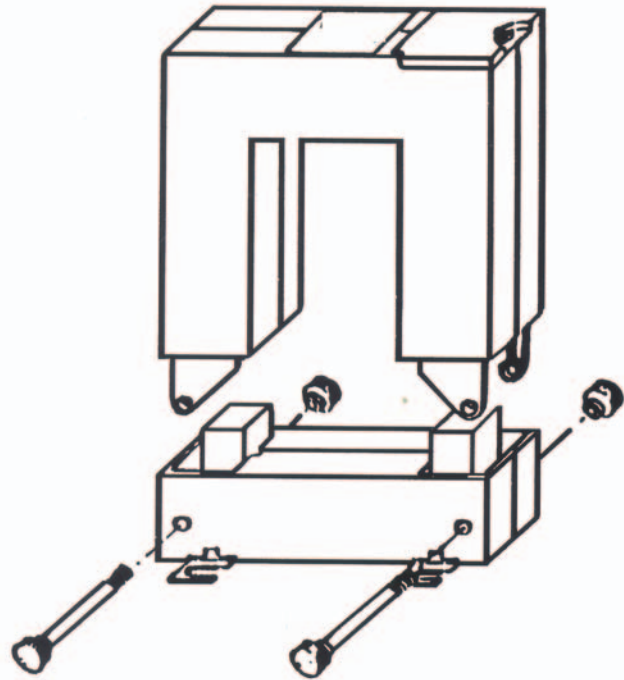
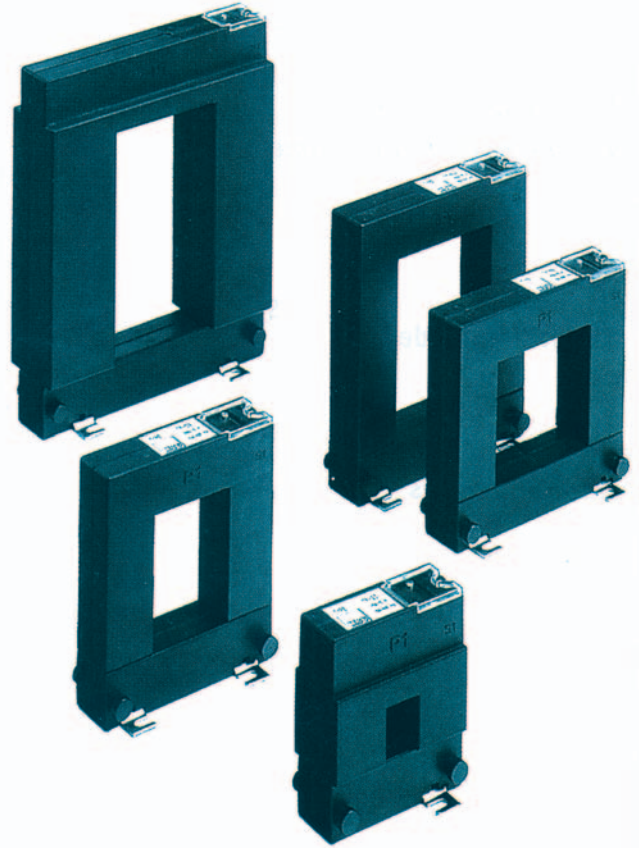


Application

When existing cables or busbars need to have current measured the use of standard current transformers is often not practical. The SC series split core current transformers allow simple insertion of the CT without need for disconnection. Available in 5A Secondary.

Ranges

Model	Primary(A)	VA(CL1)	VA(CL3)
SC23	100		1.5
	150		2
	200	1.5	2.5
	300	4	6
	400	6	10
SC58	250	2	4
	300	3	6
	400	3	10
	500	5	15
	600	5	15
	750	6	18
	800	7	18
	1000	10	20
SC88	250	2	4
	300	3	6
	400	3	10
	500	5	15
	600	5	15
	750	6	18
	800	7	18
	1000	10	20
SC812	500	4	12
	600	5	14
	750	6	17
	800	7	18
	1000	9	20
	1200	11	24
SC816	1500	17	30
	1000	15	20
	1500	20	25
	2000	20	25
	2500	20	25
	3000	25	30
	4000	25	30
5000	25	30	



Dimensions

Type	A	B	C	D	E
SC23	20	30	51	89	111
SC58	50	80	78	114	145
SC88	80	80	108	144	145
SC812	80	120	108	144	185
SC816	80	160	120	184	245